



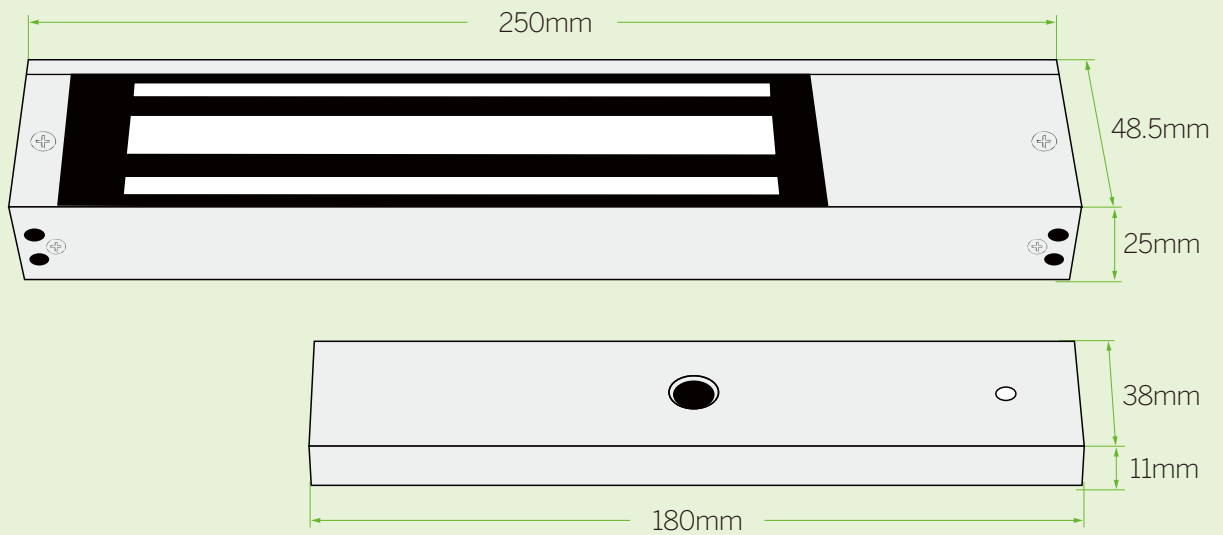
Single door 280KG Electromagnetic lock

EL-600, EL-600S, EL-600SD, EL-600SZ, EL-600ST, EL-600SA

Specifications

EL-600	Without indicator lights	
EL-600S	With LED (Red only)	
EL-600SD	LED, door sensor	
EL-600ST	LED, door sensor, Time delay	
EL-600SZ	LED, door sensor, Buzzer	
EL-600SA	LED, door sensor, Buzzer (9Wires)	
Lock size	250Lx48.5Wx25H(mm)	
Armature Plate	180Lx38Wx11H(mm)	
Holding Force	280kg (600Lbs)	
Voltage	DC12V or DC24V (adjustable)	
Current Draw	12V/500mA 24V/250mA	
Signal Output	Dry Contact, Max Rating of Contact Current 3A	
Surface Temp	≤20°C	
Operating Temp	-10°C ~ 55°C (14°F~131°F)	
Suitable Humidity	0~90%(non-condensing)	
Finishes for Shell	Anodized aluminum surface texture processing	
Finishes for Magnetic	Zinc	
Finishes for Armature	Zinc	
Weight	2kg	

Dimensions



Wiring diagram

